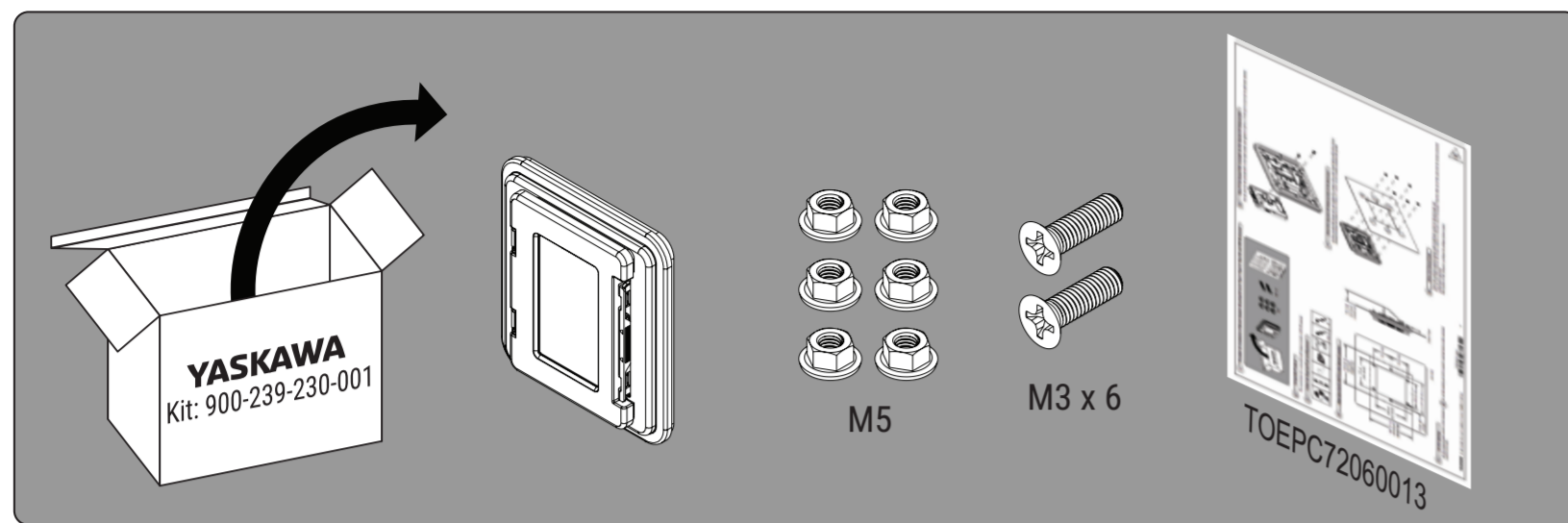


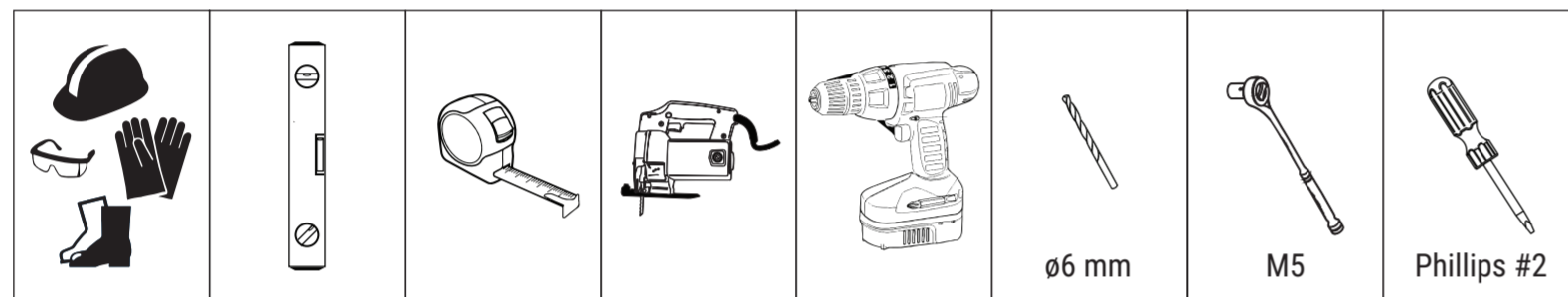
**1 Procedure for Installation of Remote Keypad Mounting Kit for UL Type 1, Type 12, Type 3R, and IP55 Enclosures**



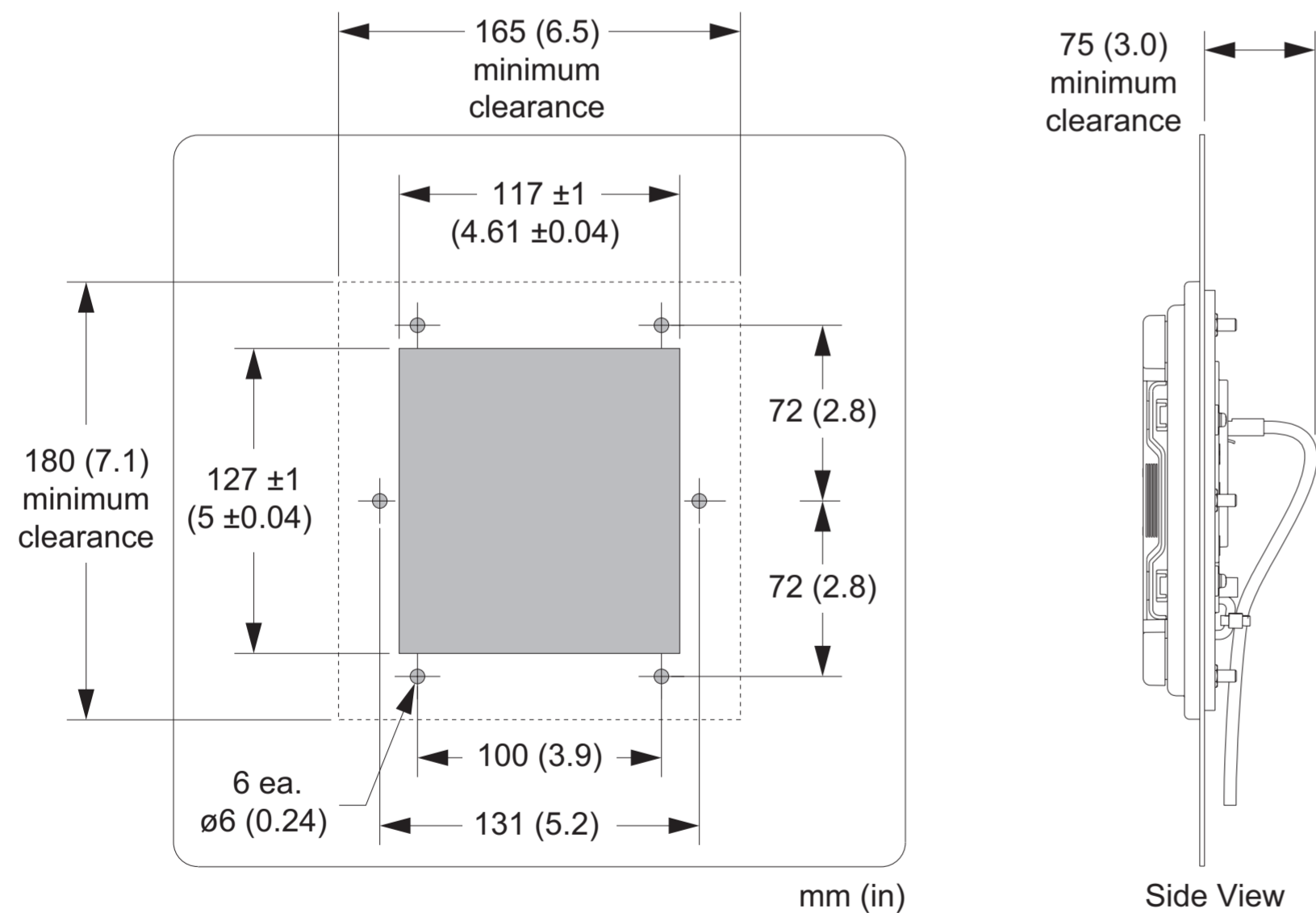
**2 Compatible Products**

This installation kit is compatible with keypad models JVOP-KPLxxxxxx. Please refer to the Installation Manual packaged with the drive or keypad when you install this option.

**3 Collect the Required Tools and Equipment**



**4 Make Sure the Kit Will Fit in the Desired Location**



**NOTICE** Measure the printed dimensions before you drill the screw holes. Moisture can cause the template scale to change.

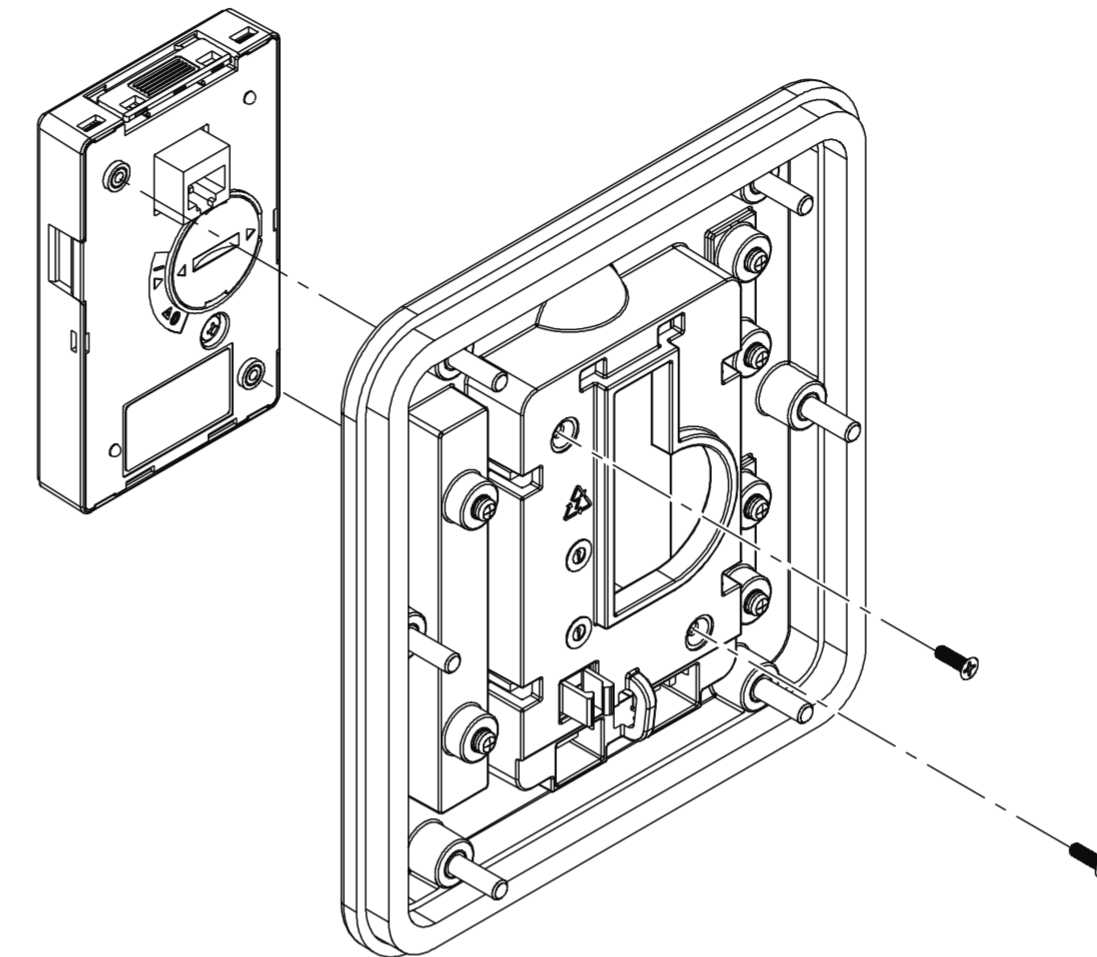
**⚠ DANGER** Electrical Shock Hazard. Do not connect or disconnect wiring while the power is on. Failure to comply will result in death or serious injury. Before servicing, disconnect all power to the equipment. The internal capacitor remains charged even after the power supply is turned off. The charge indicator LED will extinguish when the DC bus voltage is below 50 Vdc. To prevent electric shock, wait for at least the time specified on the warning label, once all indicators are OFF, measure for unsafe voltages to confirm the drive is safe prior to servicing. Failure to comply will result in death or serious injury.

**5 Cut the Opening**

Use the measurements above or the template in **A** to cut the opening and drill or punch 6 each ø6 holes on the customer-supplied enclosure.

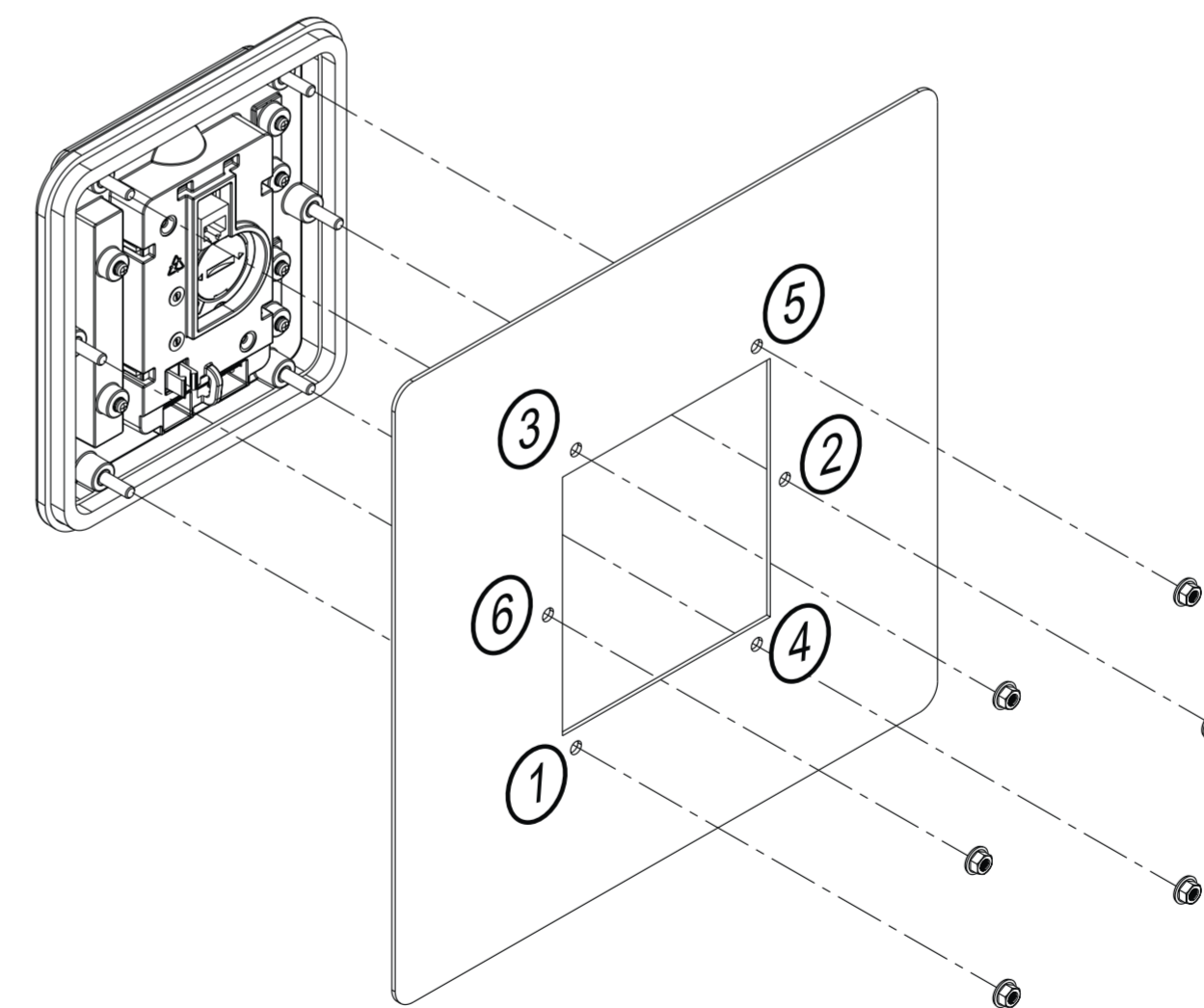
**6 Snap-fit the Keypad (Not Included) into the Keypad Kit Subassembly**

You can also use the provided M3 x 6 flat head screws and tighten to 0.49 to 0.73 N·m (4.3 to 6.4 in·lb) for additional security.



**7 Attach the Keypad Kit Subassembly to the Enclosure**

Use the provided M5 flange nuts and tighten the screws in the order shown below with initial torque. Gradually increase the torque to 2 to 2.5 N·m (17.1 to 22.1 in·lb) to evenly compress the gasket.



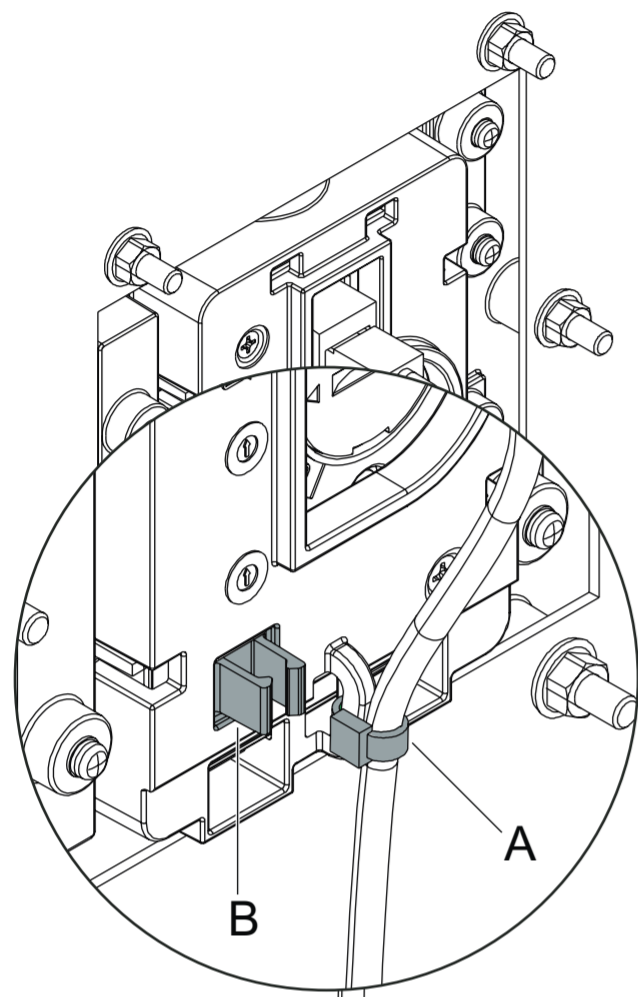
**8 Select the Keypad Cable**

Select the customer-supplied keypad cable length best suited for the enclosure size. Plug one end of the cable into the female connector on the back side of the keypad. Plug the other end of the cable into the female connector on the front of the drive. The location of the connector is different for different drive models.

**9 Safety the Cable to the Subassembly**

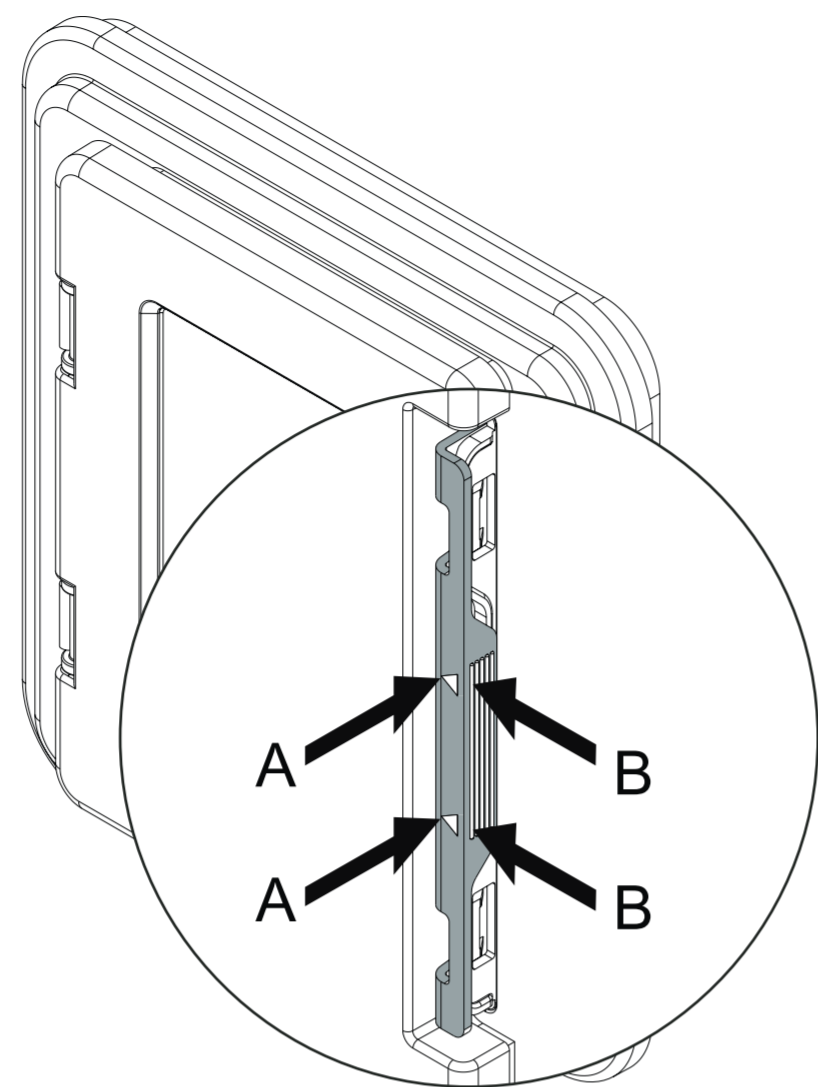
Either use a cable tie to connect the keypad cable to the loop on the subassembly or put the keypad cable into the snap fit connector on the subassembly.

Protect the cable from sharp edges and make sure that the cable does not pinch in the enclosure door.



A - Cable tie to loop  
B - Use snap fit

**10 Make Sure that the Cover Latch Functions Correctly**

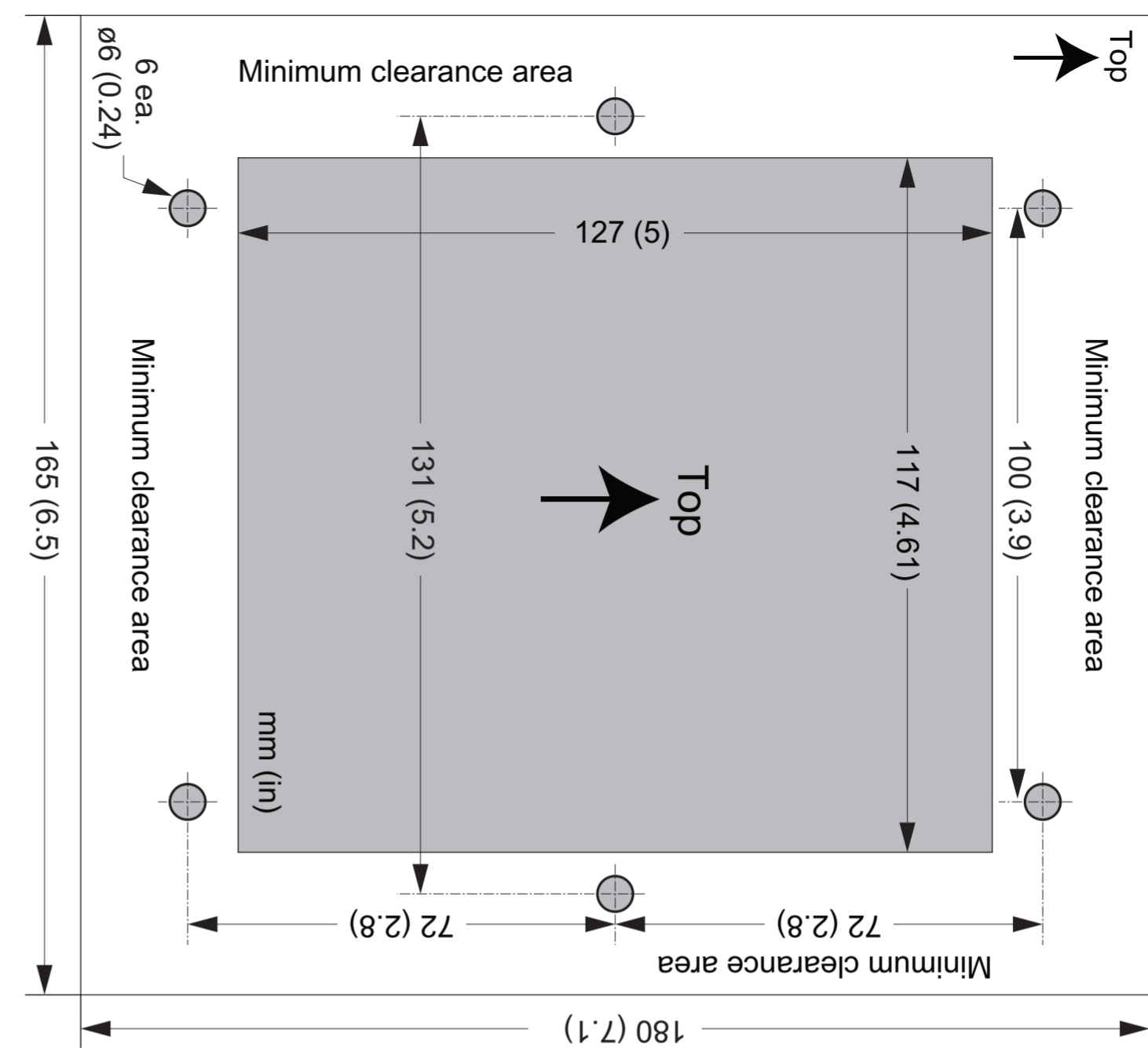
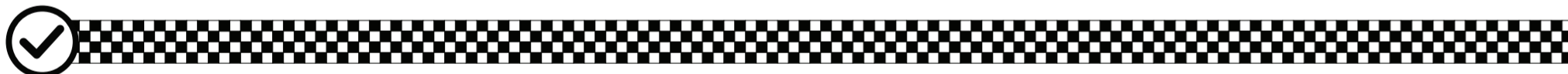


A - To close: Push both triangles on this side (2 clicks necessary)  
B - To open: Push both triangles on this side (2 clicks necessary)

**11 Test the Keypad**

Apply main power to the drive and make sure that the keypad functions correctly. Refer to the keypad installation manual or the drive installation manual for more information.

**WARNING** Sudden Movement Hazard. Remove all personnel and objects from the area around the drive, motor, and machine and attach covers, couplings, shaft keys, and machine loads before you energize the drive. If personnel are too close or if there are missing parts, it can cause serious injury or death.



**NOTICE** Measure the printed dimensions before you drill the screw holes. Moisture can cause the template scale to change.

**A Drilling and Cutting Template (1:1 Scale)**

YASKAWA AC Drive Option  
**Remote Keypad Mounting Kit**  
For UL Type 1/Type 12/Type 3R/IP55 Enclosures  
Instruction Manual

- DRIVE CENTER (INVERTER PLANT)**  
2-13-1, Nishimiyachi, Yukuhashi, Fukuoka,  
824-0811, Japan  
Phone: +81-930-25-2548 Fax: +81-930-25-3431  
www.yaskawa.co.jp
- YASKAWA ELECTRIC CORPORATION**  
New Pier Takashiba South Tower, 1-16-1, Kaigan,  
Minato-ku, Tokyo, 105-6891, Japan  
Phone: +81-3-5402-4502 Fax: +81-3-5402-4580  
www.yaskawa.co.jp
- YASKAWA AMERICA, INC.**  
2121, Norman Drive South, Westgeen, IL 60085, U.S.A.  
Phone: +1-800-YASKAWA (927-5292) or +1-847-887-7000  
Fax: +1-847-887-7310  
www.yaskawa.com
- YASKAWA ELÉTRICO DO BRASIL LTDA.**  
777, Avenida Protopina, Diadema, São Paulo,  
09950-000, Brazil  
Phone: +55-11-3385-1100 Fax: +55-11-3385-1187  
www.yaskawa.com.br
- YASKAWA EUROPE GmbH**  
Hauptstraße 185, 65760 Eschborn, Germany  
Phone: +49-6199-569-300 Fax: +49-6199-569-398  
www.yaskawa.eu.com  
E-mail: info@yaskawa.eu.com
- YASKAWA ELECTRIC KOREA CORPORATION**  
35F, Three FFC, 10 Gukjegeumyung-ro,  
Yongdeungpo-gu, Seoul, 07326, Korea  
Phone: +82-2-7847-8444 Fax: +82-2-7844-8495  
www.yaskawa.co.kr
- YASKAWA ASIA PACIFIC PTE. LTD.**  
30A, Killang Place, #06-01, 339213, Singapore  
Phone: +65-6292-9003 Fax: +65-6292-9003  
www.yaskawa.com.sg
- YASKAWA ELECTRIC (THAILAND) CO., LTD.**  
59, 1F-6F, Flourish Building, Soi Ratchadapisek 18,  
Ratchadapisek Road, Huaykwang, Bangkok, 10310,  
Thailand  
Phone: +66-2-017-0099 Fax: +66-2-017-0799  
www.yaskawa.co.th
- YASKAWA ELECTRIC (CHINA) CO., LTD.**  
22F, Link Square 1, No.222, Hubin Road, Shanghai,  
200021, China  
Phone: +86-21-5385-2200 Fax: +86-21-5385-3299  
www.yaskawa.com.cn
- YASKAWA ELECTRIC (CHINA) CO., LTD.  
BEIJING OFFICE**  
Room 1011, Tower W3 Oriental Plaza, No. 1,  
East Chang An Avenue,  
Dong Cheng District, Beijing, 100738, China  
Phone: +86-10-8518-4080 Fax: +86-10-8518-4082
- YASKAWA ELECTRIC TAIWAN CORPORATION**  
12F, No. 207, Section 9, Beishin Road, Shindian District,  
New Taipei City 23143, Taiwan  
Phone: +886-2-8913-1333  
Fax: +886-2-8913-1513 or +886-2-8913-1519  
www.yaskawa.com.tw
- YASKAWA INDIA PRIVATE LIMITED**  
#17/A, Electronics City, Hosur Road, Bengaluru,  
560 100 (Karnataka), India  
Phone: +91-80-4244-1900 Fax: +91-80-4244-1901  
www.yaskawaindia.in

**YASKAWA**

YASKAWA AC Drive Option  
**Remote Keypad Mounting Kit**  
For UL Type 1/Type 12/Type 3R/IP55 Enclosures  
Instruction Manual  
Model: 900-239-230-001

To properly use the product, read this manual thoroughly and retain for easy reference, inspection, and maintenance. Ensure the end user receives this manual.

